



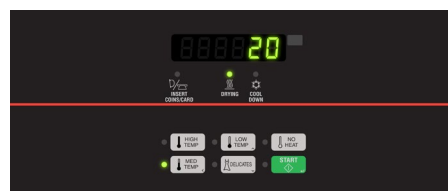
ST035

35 lb (16 kg)

Built for Reliable Performance

Our single pocket tumble dryers are designed with fewer moving parts, so that you'll face fewer maintenance problems and less wear and tear.

- Feature an axial airflow process that ensures heated air comes in contact with load at the optimum time in tumble process
- High-performance burners ignite instantly, providing the desired temperature quickly and distributing heat evenly and efficiently
- Extra-large stainless steel doors and heavy-duty hinges ensure these machines will stand up to repeated use of high-traffic laundry rooms
- Feature an all-belt drive system, which means they're less noisy and less expensive to maintain
- Fine mesh lint screen is self-cleaning, depositing lint into a large storage area for easy, once-per-day removal



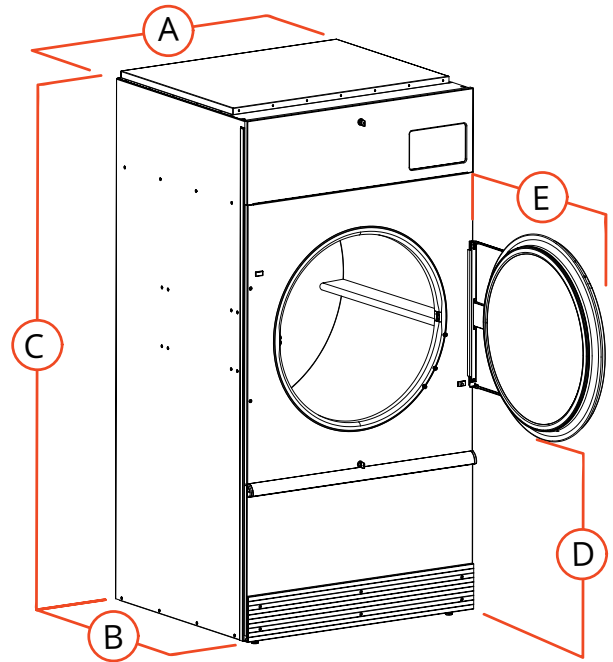
Quantum® Gold

Cutting edge Quantum® control system from Speed Queen® gives you the freedom to manage laundry your way and the power to achieve unmatched levels of revenue. This revolutionary technology provides users with more cycle choices than ever, offers unprecedented options to help lower operating costs and incorporates tools and options to increase revenue.

Single Premium Tumble Dryer

Specifications

		ST035	
Control Option		Quantum Gold	
Capacity - lb (kg)		35 (16)	
Overall Width - in (mm)		31.5 (800)	
Overall Depth - in (mm)		45.5 (1155)	
Overall Height - in (mm)		63.9 (1625)	
Cylinder Diameter - in (mm)		30 (762)	
Cylinder Depth - in (mm)		30.0 (762)	
Cylinder Volume - cu. ft (liters)		12.3 (350)	
Reversing Cylinder		Option	
Door Opening Size - in (mm)		22.7 (577)	
Heat Input Power	Gas Models - Per Pocket	90,000 Btu/hr	
	Steam Models - Per Pocket	103,440 Btu/hr	
	Electric Models	24kW	
Gas Connections - in (npt)		0.5	
Plumbing Connections - Steam - in (npt)		0.75	
Air Outlet - in (mm)		8 (200)	
Motor - HP	Fan	0.5	
	Cylinder	0.3	
Airflow - cfm		600	
Electrical Specs - amps	Gas & Steam		
	B	100-120V/50/60/1	10
	X	200-240V/50/60/1/3	6
	N	440-480V/50/60/3	3
	P	380-415V/50/60/3	3
	Electric		
	D	200-208V/50/60/1	118
	E	230-240V/50/60/1	102
	F	200-208V/50/60/3	69
	G	230-240V/50/60/3	59
	H	380V/50/60/3	37
	J	400-415V/50/60/3	34
	K	440V/50/60/3	32
L	460-480V/50/60/3	30	
Shipping Dimensions Approx. - in (mm)	Width	33.0 (838)	
	Depth	49.0 (1245)	
	Height	67.6 (1717)	
Net Weight - lb (kg)	Gas & Steam	340 (155)	
	Electric	350 (160)	
Shipping Weight - lb (kg)	Gas & Steam	360 (165)	
	Electric	370 (170)	
Agency Approvals		CSA	



A. Overall Width - in (mm)	31.5 (800)
B. Overall Depth - in (mm)	45.5 (1155)
C. Overall Height - in (mm)	63.9 (1625)
D. Door Bottom to Floor - in (mm)	27.5 (700)
E. Door Swing - in (mm)	26.3 (670)

Tumble dryer models are made to suit a variety of electrical service characteristics. See your Speed Queen route operator for specifications. For further details on installation, refer to Installation, Operation and Maintenance instructions supplied with the tumble dryer. Amperage ratings available in Installation Manual. For the most accurate information, the installation guide should be used for all design and construction purposes. Due to continuous product improvements, design and specifications subject to change without notice. The quality management systems at Alliance Laundry Systems are registered to ISO 9001.