

# Barrier washers, Evolution range

## WSB5180H, WSB5250H, WSB5350H

### Features and benefits

- Pass-through construction to offer the best ergonomics in barrier installations
- External doors with vertical hinges and 175° opening, easy to handle and reversible
- Automatic drum positioning and locking for the loading and unloading operation, offering the best ergonomics and safety for the operators
- Large inner drum doors to make loading and unloading operation easiest than ever
- Compass Pro® controller with a user friendly interface to make the operator's life easy allowing 40 factory and 15 customised wash programs
- Compatible with up to 13 detergent signals as standard to stand the most complicated wash programs
- Suspended construction allowing a 350G extraction to save energy during the drying process
- Feature the Power Balance from Electrolux that ensures the best extraction whatever the loading conditions are
- New lifters for a better wash result
- Easy program customization via the LPM software from Electrolux

### Main options

- End of cycle alarm to give operators the best information
- Double display to better handle the process on the clean side of the laundry
- 4 compartments soap box to use liquid or powder detergents
- Stainless steel body to better stand the aggressive environments
- Integrated weighing system to optimise the loading operations
- 3rd water inlet valve to use soft water



Images shown are a representation of the product only and variations may occur.

| Main specifications                    |                     |       |  | WSB5180H |       |     | WSB5250H |       |     | WSB5350H |       |      |
|--|---------------------|-------|--|----------|-------|-----|----------|-------|-----|----------|-------|------|
| Max. capacity                          | filling factor 1:11 | kg/lb |  | 18/40    |       |     | 25/55    |       |     | 35/77    |       |      |
|  | filling factor 1:10 | kg/lb |  | 20/44    |       |     | 27/60    |       |     | 38/84    |       |      |
| Drum,                                  | volume              | litre |  | 180      |       |     | 250      |       |     | 350      |       |      |
|  | diameter            | ø mm  |  | 770      |       |     | 770      |       |     | 770      |       |      |
| Extraction                             |                     | rpm   |  | 910      |       |     | 910      |       |     | 910      |       |      |
| G-factor                               |                     |       |  | 350      |       |     | 350      |       |     | 350      |       |      |
| Heating alternatives, 380-400V         | electricity         | kW    |  | 13.5     |       |     | 18       |       |     | 27       |       |      |
|  | steam               | kg/h  |  | 9        |       |     | 12       |       |     | 16       |       |      |
|  | gas                 | Btu/h |  | 136600   |       |     | 136600   |       |     | 136600   |       |      |
| <b>Consumption data "Cotton eco" *</b> |                     |       |  | El       | Steam | Gas | El       | Steam | Gas | El       | Steam | Gas  |
| Water consumption (cold)               |                     | litre |  | 165      | 165   | 185 | 230      | 230   | 250 | 322      | 322   | 342  |
| Energy consumption (motor/heating)     |                     | kWh   |  | N/A      | 0.5   | 0.7 | 6        | 0.6   | 0.8 | 9.2      | 0.7   | 0.95 |
| Steam consumption                      |                     | kg    |  | -        | 9     | -   | -        | 12    | -   | -        | 16    | -    |

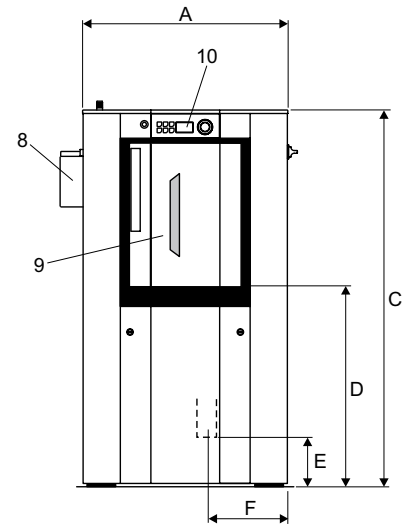
\* 1 wash, 2 rinses.

| Electrical connections* |              |       |                  |                |                    |
|-------------------------|--------------|-------|------------------|----------------|--------------------|
| Heating alternative     | Main voltage |       | Heating power kW | Total power kW | Recommended fuse A |
|                         |              | Hz    |                  |                |                    |
| <b>WSB5180H</b>         |              |       |                  |                |                    |
| Electric heated         | 400-415V 3 - | 50/60 | 13.5             | 15             | 3 x 32             |
| Steam heated            | 400-415V 3 - | 50/60 | -                | 6              | 3 x 16             |
| Gas heated              | 400-415V 3 - | 50/60 | 40               | 6.3            | 3 x 16             |
| <b>WSB5250H</b>         |              |       |                  |                |                    |
| Electric heated         | 400-415V 3 - | 50/60 | 18               | 19.5           | 3 x 40             |
| Steam heated            | 400-415V 3 - | 50/60 | -                | 6.2            | 3 x 16             |
| Gas heated              | 400-415V 3 - | 50/60 | 40               | 6.5            | 3 x 16             |
| <b>WSB5350H</b>         |              |       |                  |                |                    |
| Electric heated         | 400-415V 3 - | 50/60 | 27               | 28.8           | 3 x 50             |
| Steam heated            | 400-415V 3 - | 50/60 | -                | 6.4            | 3 x 16             |
| Gas heated              | 400-415V 3 - | 50/60 | 40               | 6.7            | 3 x 16             |

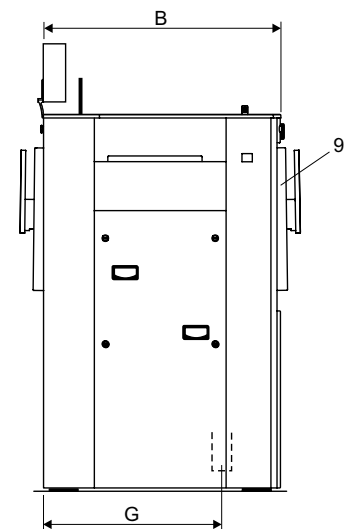
| Water, steam, gas and air connections |                       | WSB5180H | WSB5250H               | WSB5350H |
|---------------------------------------|-----------------------|----------|------------------------|----------|
| Water valves                          | DN                    | 20       | 20                     | 20       |
| Water pressure                        | kPa                   | 50-300   | 50-300                 | 50-300   |
| Capacity at 250 kPa                   | l/min                 | 70       | 70                     | 70       |
| Drain valve                           | ø mm                  | 75       | 75                     | 75       |
| Draining capacity                     | l/min                 | 240      | 240                    | 240      |
| Steam valve                           | DN                    | 20       | 20                     | 20       |
| Steam pressure                        | kPa                   | 100-600  | 100-600                | 100-600  |
| Gas valve                             | DN                    | 20       | 20                     | 20       |
| Gas evacuation                        | ø mm                  | 125      | 125                    | 125      |
| <b>Floor requirements</b>             |                       |          |                        |          |
| Frequency of the dynamic force        | Hz                    | 15.2     | 15.2                   | 15.2     |
| <b>Sound levels</b>                   |                       |          |                        |          |
| Airborne sound level                  | dB(A)                 | 72       | 72                     | 72       |
| <b>Heat emission</b>                  |                       |          |                        |          |
| % of installed power, max             |                       | 3        | 3                      | 3        |
| <b>Shipping data**</b>                |                       |          |                        |          |
|                                       | net, kg               | 670      | 710                    | 770      |
| Shipping volume                       | m <sup>3</sup>        | 2.34     | 2.77                   | 3.38     |
| <b>Dimensions in mm</b>               |                       |          |                        |          |
| A                                     | Width                 | 895      | 1050                   | 1270     |
| B                                     | Depth                 | 1040     | 1050                   | 1060     |
| C                                     | Height                | 1620     | 1620                   | 1620     |
| D                                     |                       | 850      | 850                    | 850      |
| E                                     |                       | 215      | 215                    | 215      |
| F                                     |                       | 360      | 440                    | 550      |
| G                                     |                       | 780      | 780                    | 780      |
| 1                                     | Electrical connection | 7        | Liquid detergent inlet |          |
| 2                                     | Cold hard water       | 8        | Detergent container    |          |
| 3                                     | Hot water             | 9        | Loading door           |          |
| 4                                     | Cold soft water       | 10       | Control panel          |          |
| 5                                     | Steam connection      | 11       | Air vent connection    |          |
| 6                                     | Drain                 |          |                        |          |

\* Other voltages available, see installation manual.

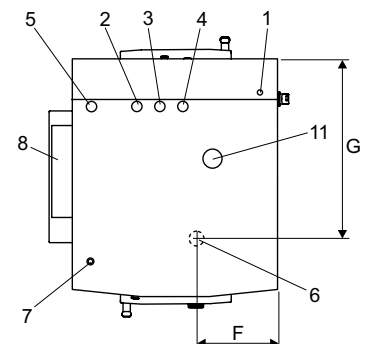
\*\* Average data. Crated weight/shipping volume depends on configuration. Please contact logistics for exact measures.



Front view



Side view



Top view