

CG55-65

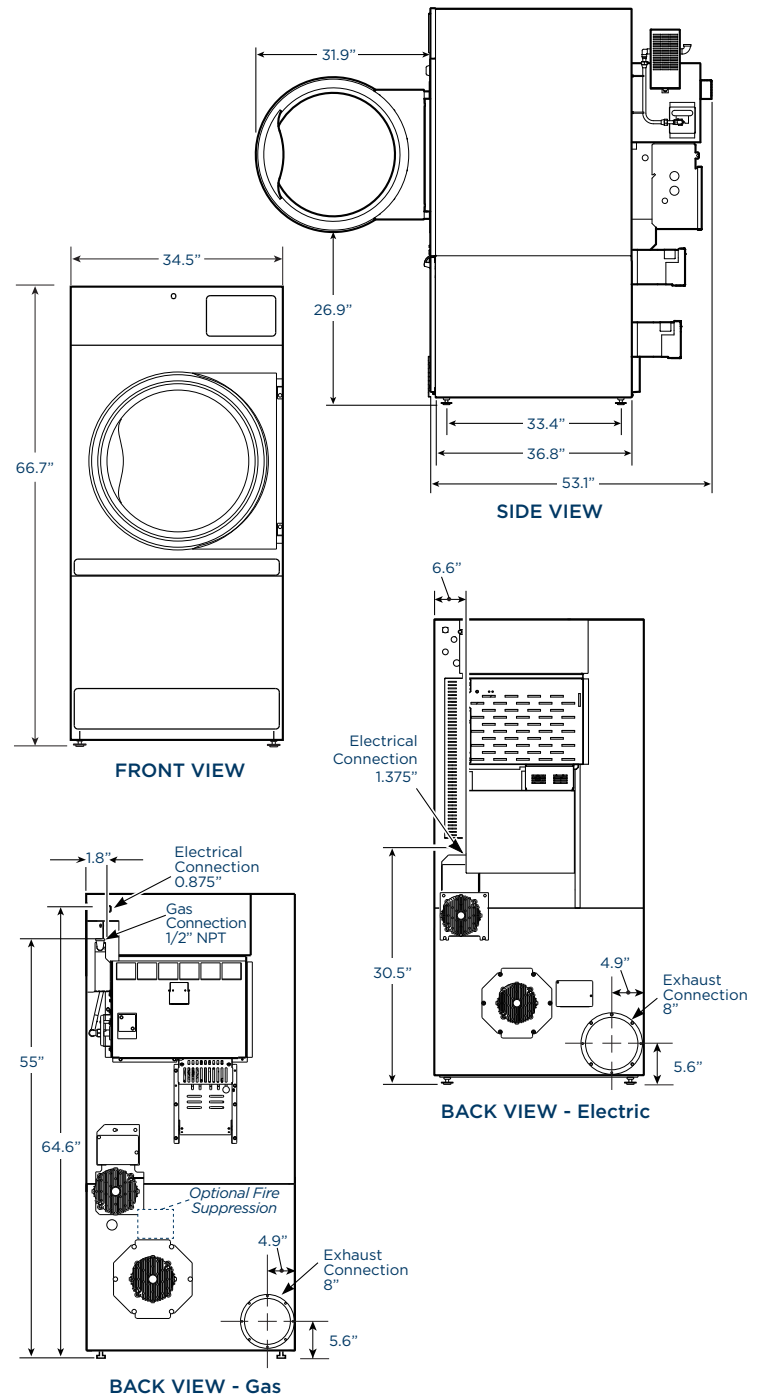
PRO-SERIES II DRYING TUMBLER

Revised 2018 (Starting Serial #1804)

PRODUCT SPECS	
Capacity <i>lbs</i>	up to 65
Cylinder Diameter <i>inch</i>	33
Cylinder Depth <i>inch</i>	35
Cylinder Volume <i>cu ft</i>	17.3
Net Weight <i>lbs (electric models)</i>	430 - 440
Crated Weight <i>lbs (electric models)</i>	470 - 480
Machine Width <i>inch</i>	34.5
Machine Depth <i>inch</i>	53.1
Machine Height <i>inch</i>	66.7
Door Opening <i>inch</i>	27
Floor to Door <i>inch</i>	26.9
Shipping Dimensions <i>inch</i> WxDxH	35.5 x 57 x 70.5
Exhaust Diameter <i>inch</i>	8
Exhaust Air Flow <i>cfm</i>	700
Exhaust Back Pressure (max) <i>WCI</i>	.6
Required Makeup Air <i>sq in</i>	144
Electric Heating <i>kW</i>	27
Gas Connection <i>inch</i>	1/2 NPT
Gas Heating <i>BTU/h</i>	112,000
Gas Pressure (max/recommended/min)	
Natural Gas <i>wc</i>	10.5 / 6.5 / 5
Propane <i>wc</i>	13 / 11 / 10

GAS MODELS			
AVAILABLE VOLTAGES	WIRE CONDUCTOR	FULL LOAD AMPS	RECOMMENDED BREAKER SIZE
100-120/50-60/1	1W+N+G	12	15
200-240/50-60/1	2W+G	7	15
380-415/50-60/3	3W+G	3	15
440-480/50-60/3	3W+G	3	15

ELECTRIC MODELS - CLASSIC 27 KW			
AVAILABLE VOLTAGES	WIRE CONDUCTOR	FULL LOAD AMPS	RECOMMENDED BREAKER SIZE
200-208/50-60/1	2W+G	133	175
230-240/50-60/1	2W+G	116	150
200-208/50-60/3	3W+G	78	100
230-240/50-60/3	3W+G	67	90
380/50-60/3	3W+G	42	60
400-415/50-60/3	3W+G	39	50
440/50-60/3	3W+G	37	50
460-480/50-60/3	3W+G	34	45



* Specifications subject to change without notice or obligation. Contact Continental Girbau at (800) 256-1073 for dimensions not shown or for clarification.