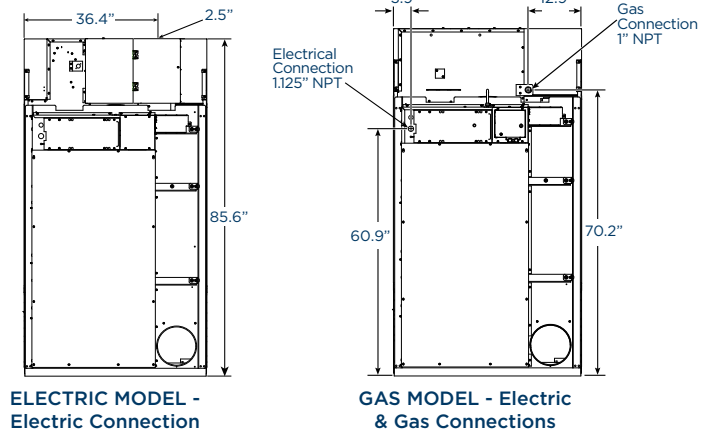
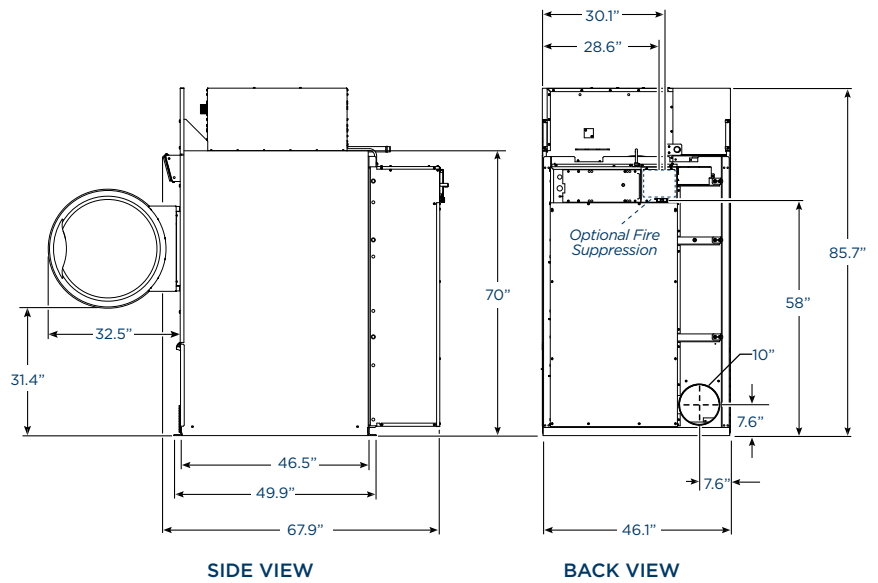


CG115-125

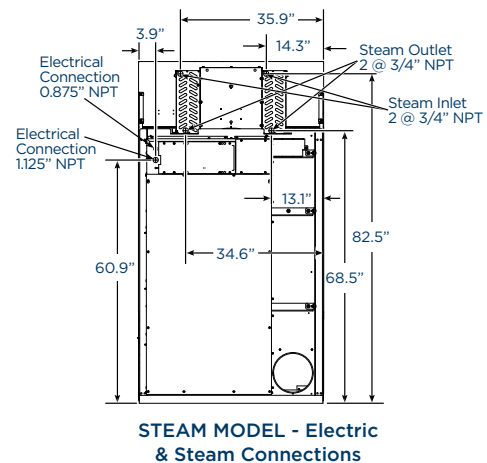
PRO-SERIES II DRYING TUMBLER

Revised 2018 (Starting Serial #1804)

PRODUCT SPECS	
Capacity <i>lbs</i>	up to 125
Cylinder Diameter <i>inch</i>	44
Cylinder Depth <i>inch</i>	41
Cylinder Volume <i>cu ft</i>	36.1
Net Weight <i>lbs</i>	
Gas	1220
Steam	1330
Crated Weight <i>lbs</i>	
Gas	1290
Steam	1400
Machine Width <i>inch</i>	46.1
Machine Depth <i>inch</i>	67.92
Machine Height <i>inch</i>	
Gas	85.7
Steam	85.6
Door Opening <i>inch</i>	27
Floor to Door <i>inch</i>	31.4
Shipping Dimensions <i>inch</i>	48 x 71.5 x 90
WxDxH	
Exhaust Diameter <i>inch</i>	10
Exhaust Air Flow <i>cfm</i>	1400
Exhaust Back Pressure (max) <i>WCI</i>	0.8
Required Makeup Air <i>sq in</i>	360
Electric Heating <i>kW</i>	60
Gas Connection <i>inch</i>	1 NPT
Gas Heating <i>BTU/h</i>	270,000
Gas Pressure (max/recommended/min)	
Natural Gas <i>wc</i>	10.5 / 6.5 / 5
Propane <i>wc</i>	13 / 11 / 10
Steam Connection <i>inch</i>	3/4 NPT
Condensate Outlet Connection <i>inch</i>	3/4 NPT
Steam Heating <i>BTU/h</i>	
at 100 PSI	187,500
BHP Consumption <i>BHP</i>	
at 100 PSI	11.7



GAS/STEAM MODELS			
AVAILABLE VOLTAGES	WIRE CONDUCTOR	FULL LOAD AMPS	RECOMMENDED BREAKER SIZE
200-240/50-60/3	3W+G	7	15
380-415/50-60/3	3W+G	4	15
440-480/50-60/3	3W+G	4	15
ELECTRIC MODELS			
AVAILABLE VOLTAGES	WIRE CONDUCTOR	FULL LOAD AMPS	RECOMMENDED BREAKER SIZE
230-240/50-60/3	3W+G	147	200
380/50-60/3	3W+G	94	125
400-415/50-60/3	3W+G	86	110
440/50-60/3	3W+G	82	110
460-480/50-60/3	3W+G	75	100



* Specifications subject to change without notice or obligation. Contact Continental Girbau at (800) 256-1073 for dimensions not shown or for clarification.