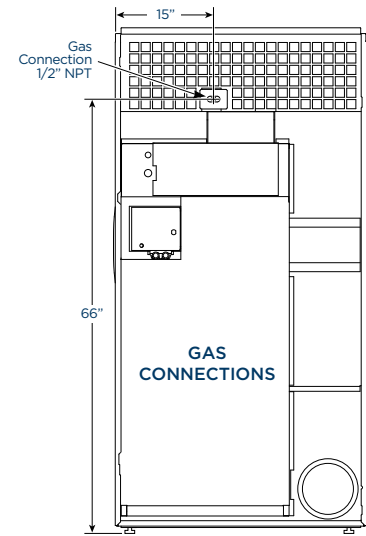
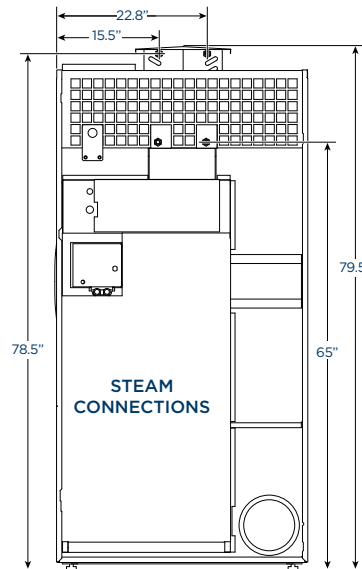
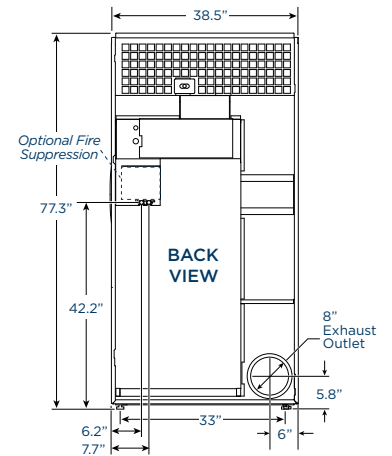
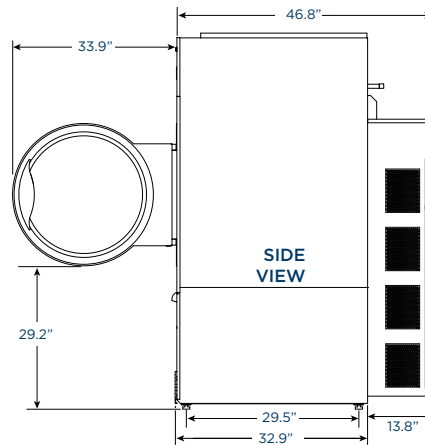


CG50-60

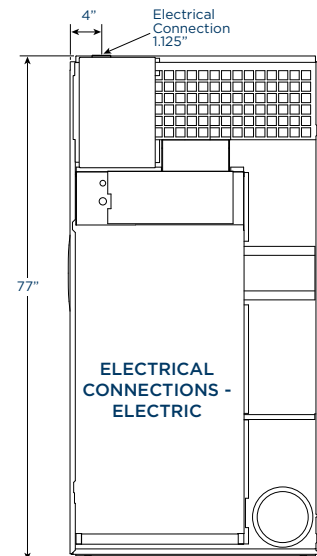
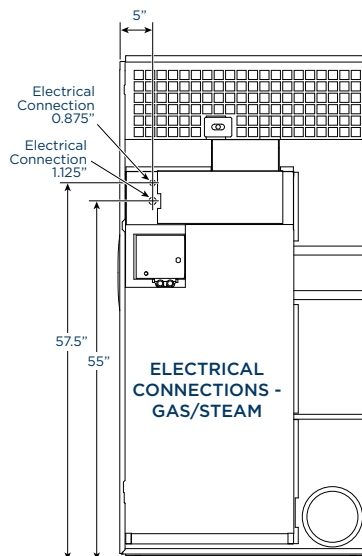
PRO-SERIES II DRYING TUMBLER

Revised 2018 (Starting Serial #1804)

| PRODUCT SPECS | |
|--|----------------|
| Capacity <i>lbs</i> | up to 60 |
| Cylinder Diameter <i>inch</i> | 37 |
| Cylinder Depth <i>inch</i> | 30 |
| Cylinder Volume <i>cu ft</i> | 18.7 |
| Net Weight <i>lbs</i> | |
| Gas | 650 |
| Steam | 690 |
| Crated Weight <i>lbs</i> | |
| Gas | 700 |
| Steam | 740 |
| Machine Width <i>inch</i> | 38.5 |
| Machine Depth <i>inch</i> | 46.8 |
| Machine Height <i>inch</i> | 77.3 |
| Door Opening <i>inch</i> | 26.89 |
| Floor to Door <i>inch</i> | 29.2 |
| Shipping Dimensions <i>inch</i> WxDxH | 41.5 x 50 x 81 |
| Exhaust Diameter <i>inch</i> | 8 |
| Exhaust Air Flow <i>cfm</i> | 700 |
| Exhaust Back Pressure (max) <i>WCI</i> | 0.5 |
| Required Makeup Air <i>sq in</i> | 144 |
| Electric Heating <i>kW</i> | 30 |
| Gas Connection <i>inch</i> | 1/2 NPT |
| Gas Heating <i>BTU/h</i> | 130,000 |
| Gas Pressure (max/recommended/min) | |
| Natural Gas <i>wc</i> | 10.5 / 6.5 / 5 |
| Propane <i>wc</i> | 13 / 11 / 10 |
| Steam Connection <i>inch</i> | 3/4 NPT |
| Steam Heating <i>BTU/h</i> at 100 PSI | 113,600 |
| BHP Consumption <i>BHP</i> at 100 PSI | 5.1 |



| GAS/STEAM MODELS | | | |
|--------------------|----------------|----------------|--------------------------|
| AVAILABLE VOLTAGES | WIRE CONDUCTOR | FULL LOAD AMPS | RECOMMENDED BREAKER SIZE |
| 100-120/50-60/1 | 1W+N+G | 9 | 15 |
| 200-240/50-60/1 | 2W+G | 6 | 15 |
| 380-415/50-60/3 | 3W+G | 3 | 15 |
| 440-480/50-60/3 | 3W+G | 3 | 15 |
| ELECTRIC MODELS | | | |
| AVAILABLE VOLTAGES | WIRE CONDUCTOR | FULL LOAD AMPS | RECOMMENDED BREAKER SIZE |
| 200-208/50-60/3 | 3W+G | 87 | 110 |
| 230-240/50-60/3 | 3W+G | 75 | 100 |
| 380/50-60/3 | 3W+G | 47 | 60 |
| 400-415/50-60/3 | 3W+G | 43 | 60 |
| 440/50-60/3 | 3W+G | 41 | 60 |
| 460-480/50-60/3 | 3W+G | 38 | 50 |



* Specifications subject to change without notice or obligation. Contact Continental Girbau at (800) 256-1073 for dimensions not shown or for clarification.