

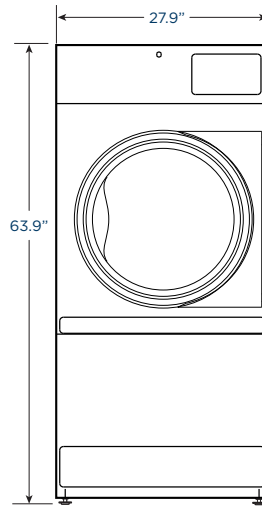
CG20-30

PRO-SERIES II DRYING TUMBLER

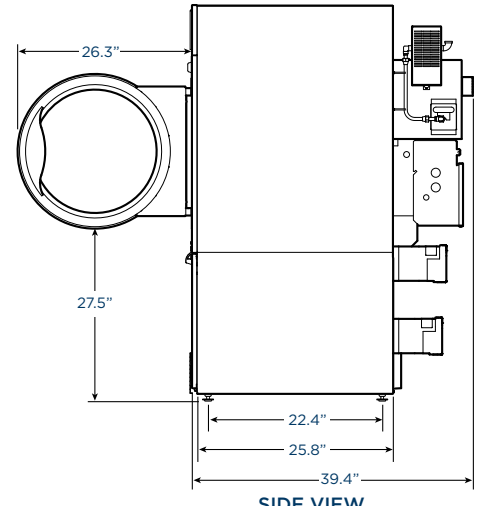
Revised 2018 (Starting Serial #1804)

PRODUCT SPECS	
Capacity <i>lbs</i>	up to 30
Cylinder Diameter <i>inch</i>	26.5
Cylinder Depth <i>inch</i>	24
Cylinder Volume <i>cu ft</i>	7.7
Net Weight <i>lbs (gas/steam models)</i>	300
Crated Weight <i>lbs (standard)</i>	320
Machine Width <i>inch</i>	27.9
Machine Depth <i>inch</i>	39.4
Machine Height <i>inch</i>	63.9
Door Opening <i>inch</i>	23.7
Floor to Door <i>inch</i>	27.5
Shipping Dimensions <i>inch</i> WxDxH	30 x 43 x 67.6
Exhaust Diameter <i>inch</i>	6
Exhaust Air Flow <i>cfm</i>	500
Exhaust Back Pressure (max) <i>WCI</i>	0.80
Required Makeup Air <i>sq in</i>	110
Electric Heating <i>kW</i>	12
Gas Connection <i>inch</i>	1/2 NPT
Gas Heating <i>BTU/h</i>	64,000
Gas Pressure (max/recommended/min) Natural Gas <i>wc</i> Propane <i>wc</i>	10.5 / 6.5 / 5 13 / 11 / 10
Steam Connection <i>inch</i>	3/4 NPT
Steam Heating <i>BTU/h</i> at 100 PSI	83,500
BHP Consumption <i>BHP</i> at 100 PSI	3.9

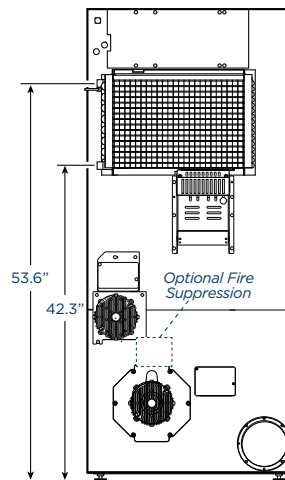
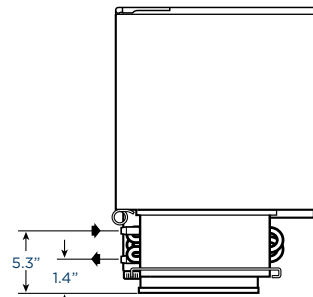
GAS/STEAM MODELS				
AVAILABLE VOLTAGES	WIRE CONDUCTOR	FULL LOAD AMPS	RECOMMENDED BREAKER SIZE	
100-120/50-60/1	1W+N+G	10	15	
200-240/50-60/1	2W+G	6	15	
380-415/50-60/3	3W+G	3	15	
440-480/50-60/3	3W+G	3	15	
ELECTRIC MODELS - CLASSIC 12kW				
AVAILABLE VOLTAGES	WIRE CONDUCTOR	FULL LOAD AMPS	RECOMMENDED BREAKER SIZE	
200-208/50-60/1	2W+G	60	80	
230-240/50-60/1	2W+G	53	70	
200-208/50-60/3	3W+G	36	45	
230-240/50-60/3	3W+G	32	40	
380/50-60/3	3W+G	19	25	
400-415/50-60/3	3W+G	18	25	
440/50-60/3	3W+G	17	25	
460-480/50-60/3	3W+G	15	20	



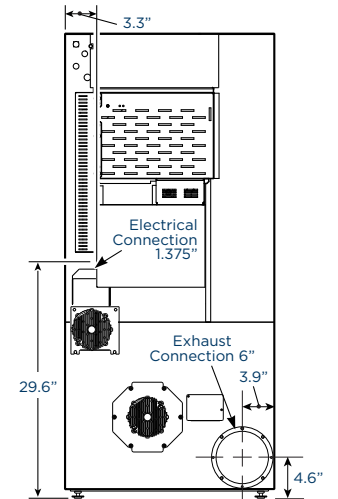
FRONT VIEW



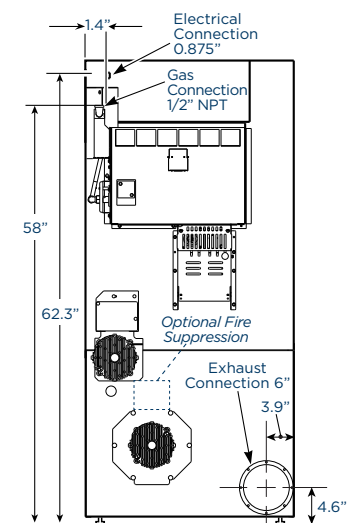
SIDE VIEW



BACK VIEW - Steam



BACK VIEW - Electric



BACK VIEW - Gas

* Specifications subject to change without notice or obligation. Contact Continental Girbau at (800) 256-1073 for dimensions not shown or for clarification.