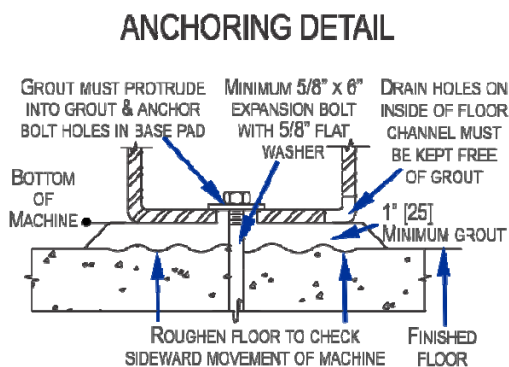
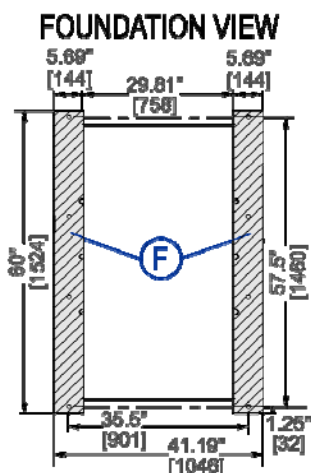
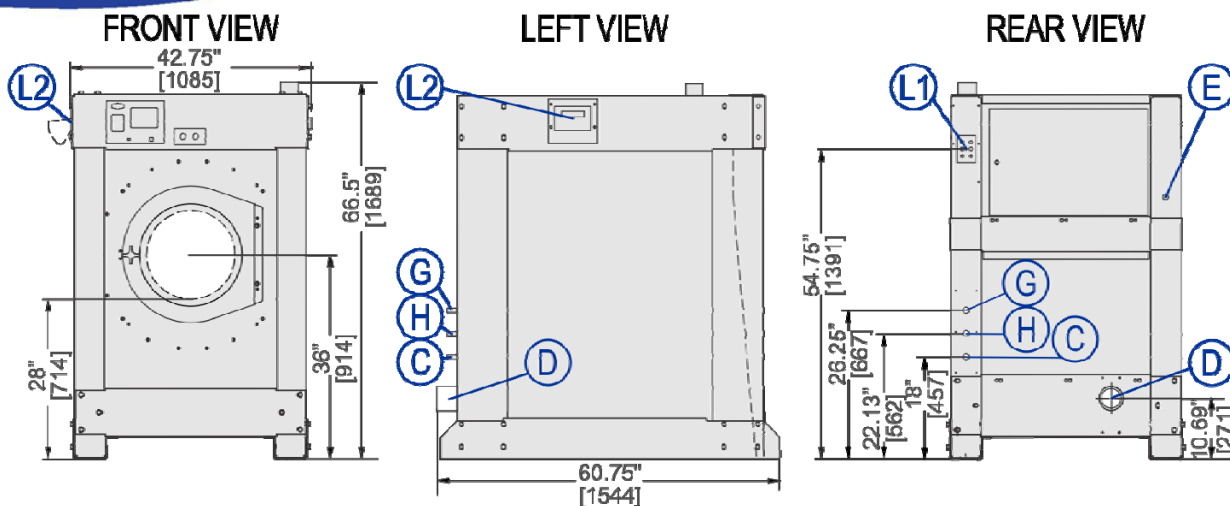


30022 X8R

60 LB. (27KG) CAPACITY
SUSPENDED WASHER-EXTRACTOR

SPECIFICATION SHEET



LEGEND

C	Cold water inlet .75" (19 mm) NPT
D	Drain to sewer 3" (76 mm) PSJ
E	Electrical connection
F	Anchor bolt holes 1.06" (27 mm)
G	Chemical flush .75" (19 mm) NPT
H	Hot water inlet .75" (19 mm) GHT
L1	Liquid supply inlets
L2	Soap chute

MECHANICAL SPECIFICATIONS

Capacity – lbs (kg)	60 (27)
Cylinder Diameter x Depth – ins (mm)	30 x 22 (762 x 559)
Cylinder Volume – cu. ft. (L)	9 (255)
Door Opening – ins (mm)	15.68 (398)
Machine Dimensions (W x D x H) – ins (mm)	42.75 x 60.75 x 66.5 (1085x1544x1689)
Shipping Dimensions (W x D x H) – ins (mm)	50 x 68 x 72 (1270x1727x1829)
Motor – HP (kW)	5 (3.7)
Wash Speeds – RPM	38-44
Distribution Speed – RPM	68
Extraction Speeds – RPM	390-840
Extraction G-Force	300
Static Weight – lbs (kg) ✧	2312 (1049)
Max. Dynamic Load RMS – lbs (kg) ✧	318 (144)
Frequency (Hz)	14
Water Pressure <i>(Required)</i> – psi (bar)	10-75 (0.69-5.17)
Water Valve Cv Rating	4.66 (17.64)
Minimum Recommended Distance Between Machines – ins (mm)	12 (305)

ELECTRICAL SPECIFICATIONS

Voltage	Running Amps	Fuse (Amps)	Circuit Breaker (Amps)
220/3/50	12	FRN20	20
208, 240/1/60	18, 16	FRN20	20
208, 240/3/60	13, 10	FRN20	20
380/3/50-60	8	FRS15	15
415/3/50	7	FRS15	15
480/3/60	6	FRS15	15

See Fuse and Wire Size manual MAEFUSE1BE for safety information.

▼ See dimensional drawing for complete details.

✧ It is the sole responsibility of the owner/user to assure that the floor and/or any other supporting structure exceeds not only all applicable building codes, but also that the floor and/or any other supporting structure for each washer-extractor or group of washer-extractors has sufficient strength and rigidity (i.e., a natural or resonant frequency many times greater than the rotational machine speed with a reasonable factory of safety) to support the weight of all the fully loaded machine(s) including the weight of the water and goods, and including the published 360° rotating sinusoidal RMS forces that are transmitted by the machine(s). Contact the factory for additional machine data for use by a structural engineer.



30022 X8R

60 LB. (27KG) CAPACITY
SUSPENDED WASHER-EXTRACTOR

SPECIFICATION SHEET

Standard Features:

- 6 speeds (2 wash, 1 distribution, 3 extract)
- MilTouch-EX™ programmable controller
- Full-color touch screen
- Single-motor inverter drive
- Tall, lifting ribs
- Tapered roller bearings
- High M.A.F. (Mechanical Action Factor)
- Large cylinder perforations
- Fresh-water flushing chemical manifold
- Auto tension V-belt drive
- Twelve (12) liquid chemical injection ports
- Control reads in English/second language
- 5-year limited warranty on frame, cylinder & shell



Optional Features:

- Steam
- Electric heat
- 5 compartment flushing supply injector

Why Purchase Milnor?

- RinSave® water saver in conjunction with large cylinder perforations provides more efficient rinsing. **BENEFIT: Saves water, energy, and time.**
- Larger cylinder volume than most competitive similar sized washer-extractors provides *greater productivity*. More linen washed per day, or fewer hours required to process. **BENEFIT: Saves labor.**
- Greater cylinder perforated-area generates *better wash quality, better rinsing and better extraction*. **BENEFIT: Better extraction saves dryer fuel.**
- 300-G high extract provides excellent moisture removal. Lower extract speeds are available for uniforms, delicate textiles and blended fabrics. **BENEFIT: Better extraction saves dryer fuel.**
- MilTouch-EX™ touch screen control, utilizing resistive touch screen technology and full VGA resolution, has a clear and informative display which shows current machine status info including total formula time and time elapsed. Formulas can be developed on a PC, saved to USB external memory and uploaded with a screen touch. Controller also provides intuitive fault diagnosis and relevant troubleshooting suggestions. **BENEFIT: Programs deliver gentle and repeatable treatment.**
- Superior product support through local, highly-skilled dealers. **BENEFIT: Faster repairs mean less downtime.**



Advanced control



Superior cylinder design



SmoothCoil™
Suspension System

Contact Milnor for your local, authorized dealer:

Pellerin Milnor Corporation
P.O. Box 400 • Kenner, LA 70063
t: 504-467-9591 • f: 504-468-3094

